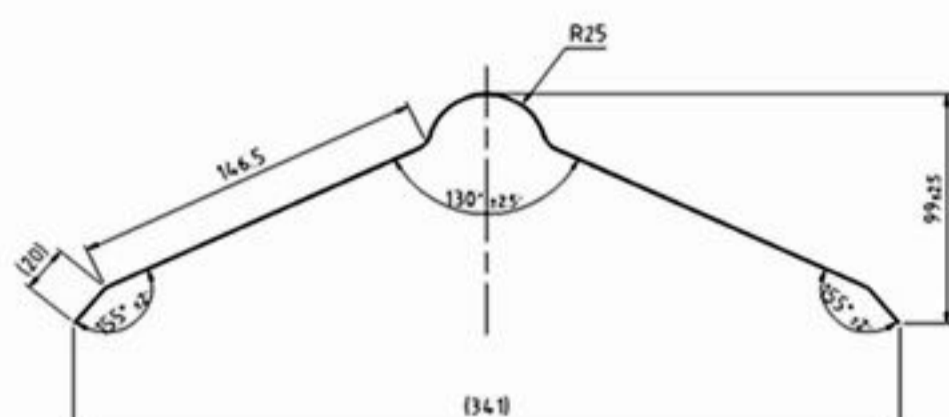


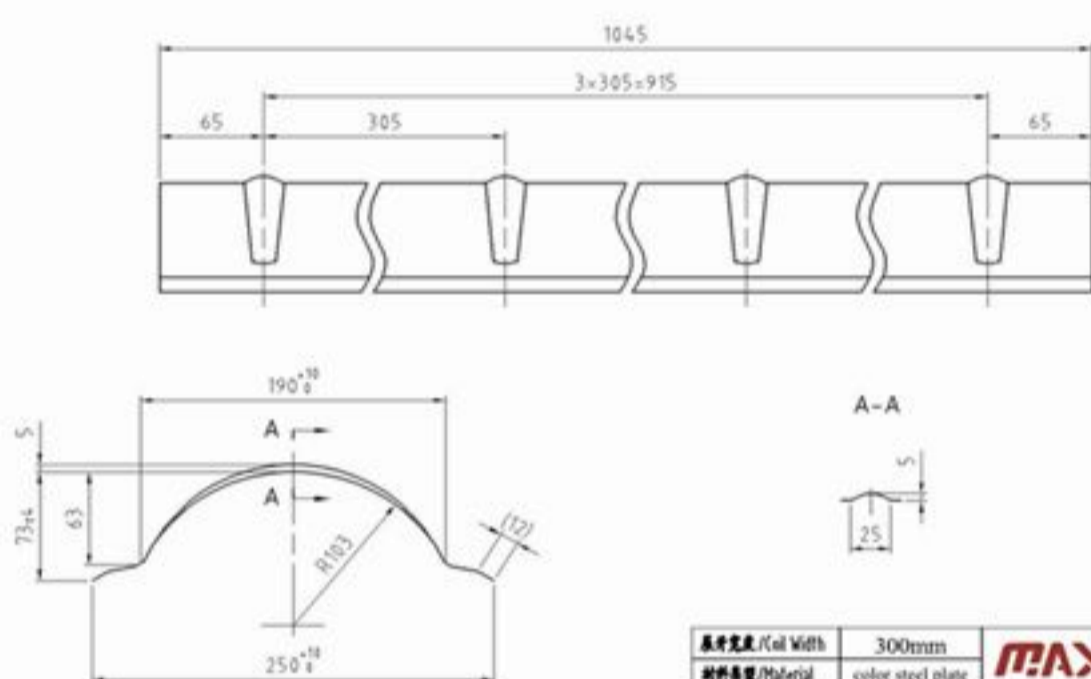
品名/Item No.		规格/Spec.	NO-10
材料/Material		厚度/Thickness	276mm
屈服强度/Strength		材料厚度/Thickness	275MPa
材料厚度/Thickness		备注/Remarks	曲线屋顶-10

MAXMACH



品名/Item No.	400mm
材料/Material	彩钢板
屈服强度/Strength	345MPa
材料厚度/Thickness	455mm

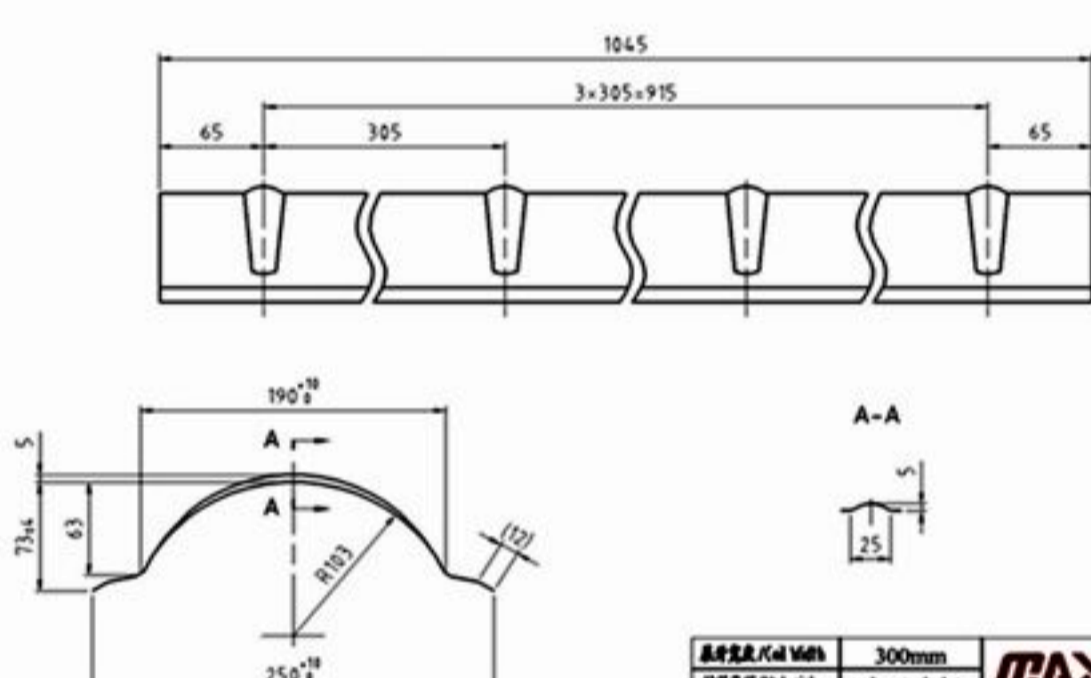
MAXMACH



品名/Item No.	300mm
材料/Material	color steel plate
屈服强度/Strength	230-300Mpa
材料厚度/Thickness	0.35-0.7mm

MAXMACH

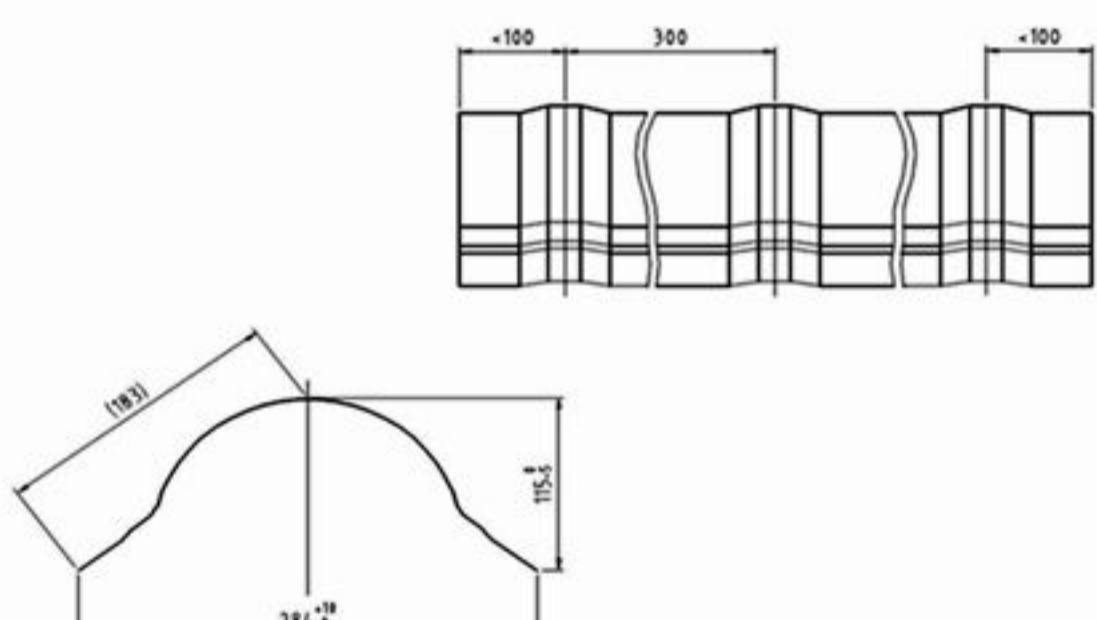
MYKA250



品名/Item No.	300mm
材料/Material	color steel plate
屈服强度/Strength	230-300Mpa
材料厚度/Thickness	0.35-0.7mm

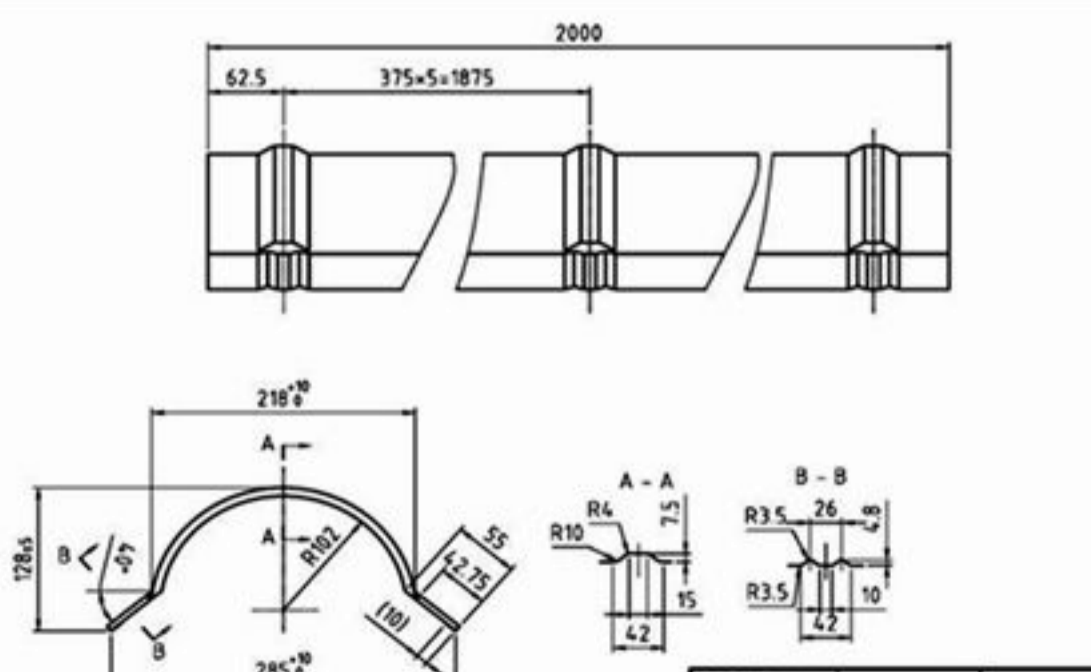
MAXMACH

MYKA250



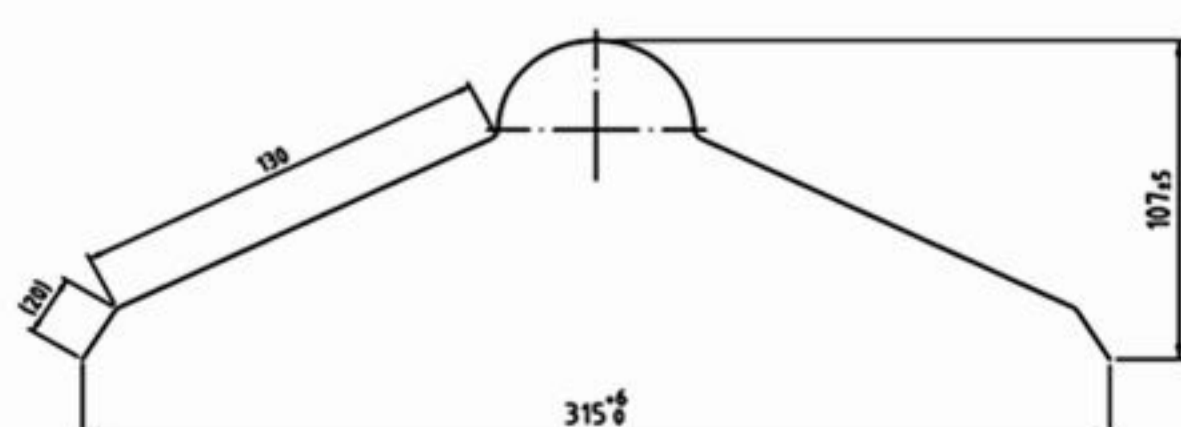
品名/Item No.	345mm
材料/Material	彩钢板
屈服强度/Strength	230-300MPa
材料厚度/Thickness	0.5-0.6mm

MAXMACH



品名/Item No.	418±2 mm
材料/Material	Colorl coating steel
屈服强度/Strength	230-300Mpa
材料厚度/Thickness	0.5-0.55mm

MAXMACH



品名/Item No.	375mm
材料/Material	彩钢板
屈服强度/Strength	235-300MPa
材料厚度/Thickness	0.4-0.6mm

MAXMACH